

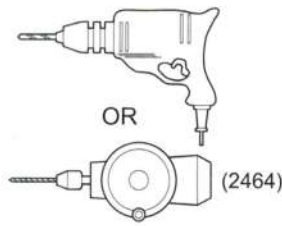
## The Retreat (1800i)



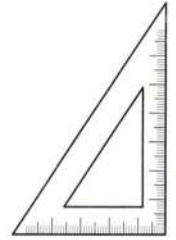
Supplied  
(7014)



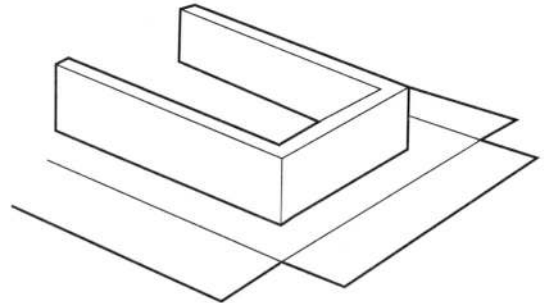
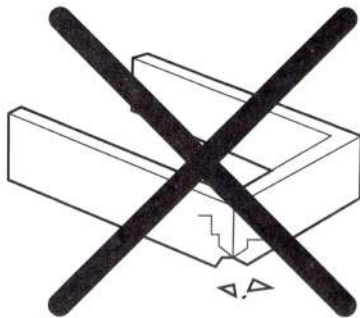
Supplied  
(9216)



With 1.5mm drill bit  
(5684)



To prevent damage and breakage use the box supplied to protect your work surface. Simply open out the box and lay it on the desired surface to protect both the surface and the parts during construction.



We advise that you first check all parts are present before continuing onto the building stage. If any parts are missing please contact us and we will be happy to assist you.

Dry build your kit first using masking tape to become fully accustomed with the kit. Lightly mark each part with a pencil so that you can identify each part easily when building. You may also like to mark which surfaces will require decoration before full construction; ceiling, scotia strips, porticos, windows and doors for example.

When working through the instruction you should determine the best time to decorate the various parts of the kit. This will allow you to decorate at the best time during full construction. This is why a dry build is advised first. Try making a note on the instructions when painting or wall papering is required and this will help you to remember when you come back to that step.

It is not recommended to keep your dolls' house in a conservatory due to the extremes of temperature.

If you require any assistance or have any queries, feel free to contact us on the below details:

## The Dolls House Emporium

High Holborn Road, Ripley, Derbyshire DE5 3YD

TEL (UK): 0845 434 9202

TEL (International): +44 1332 912 989

FAX: 01 773 513 772

website: [www.dollshouse.com](http://www.dollshouse.com)

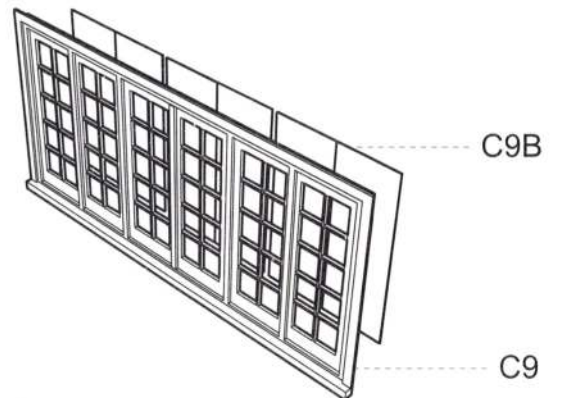
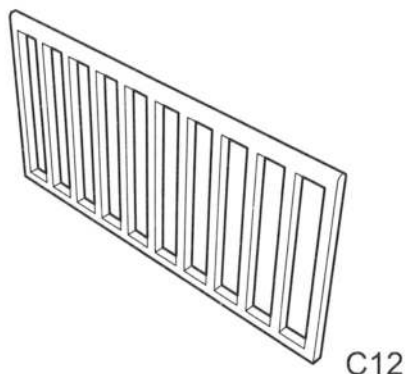
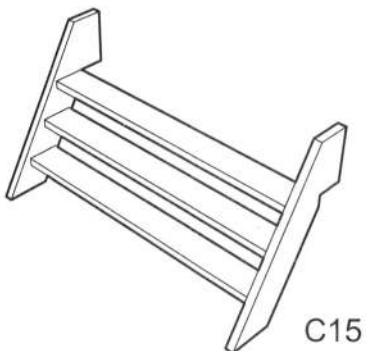
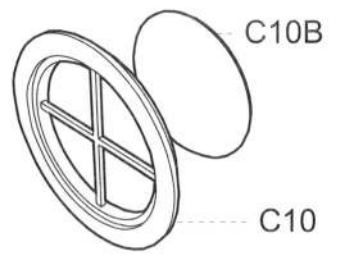
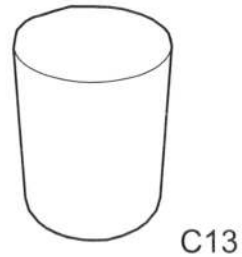
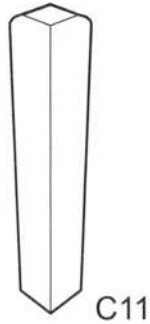
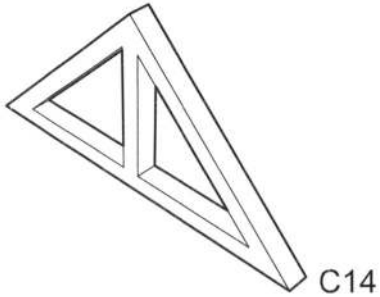
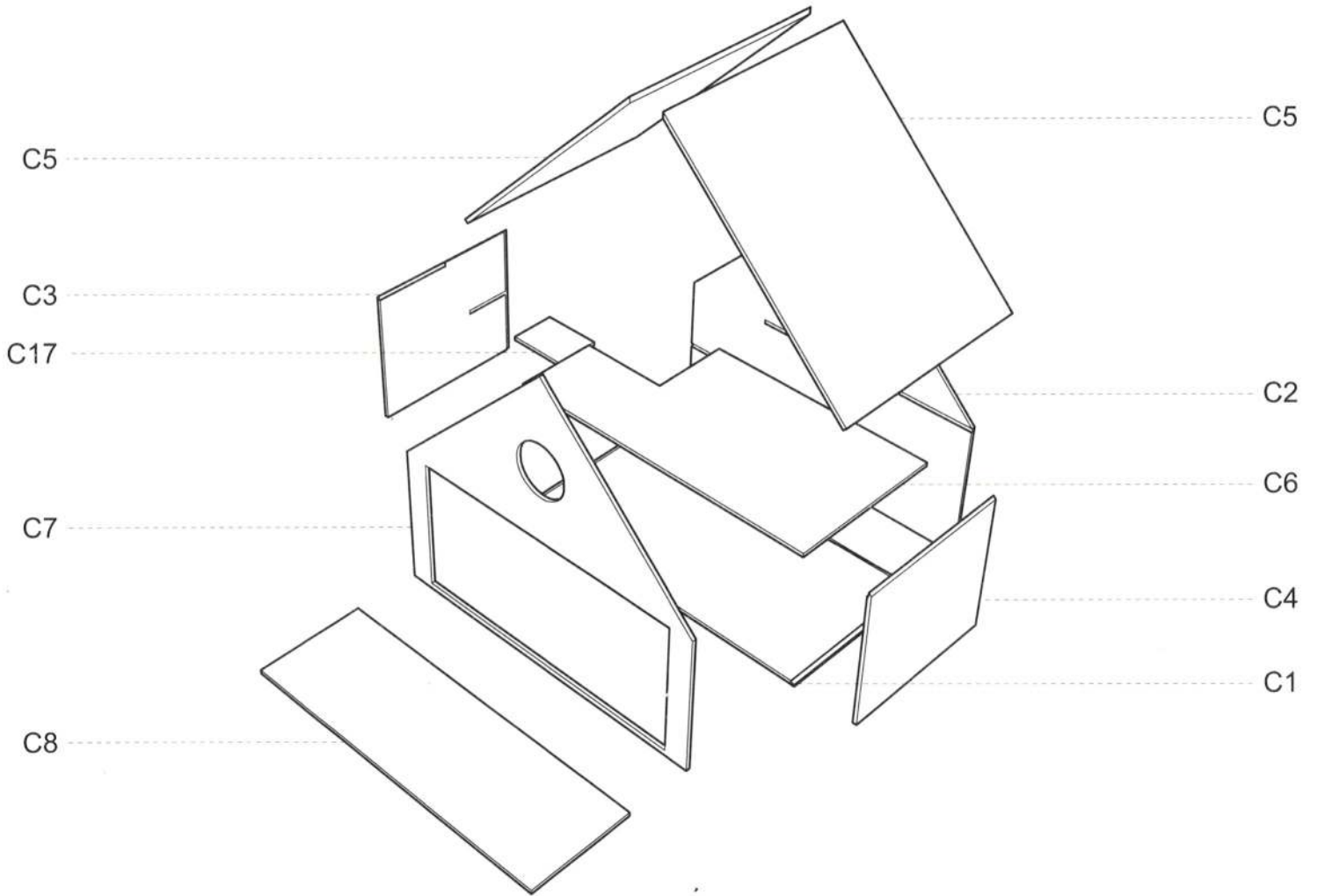
email: [products@dollshouse.com](mailto:products@dollshouse.com)



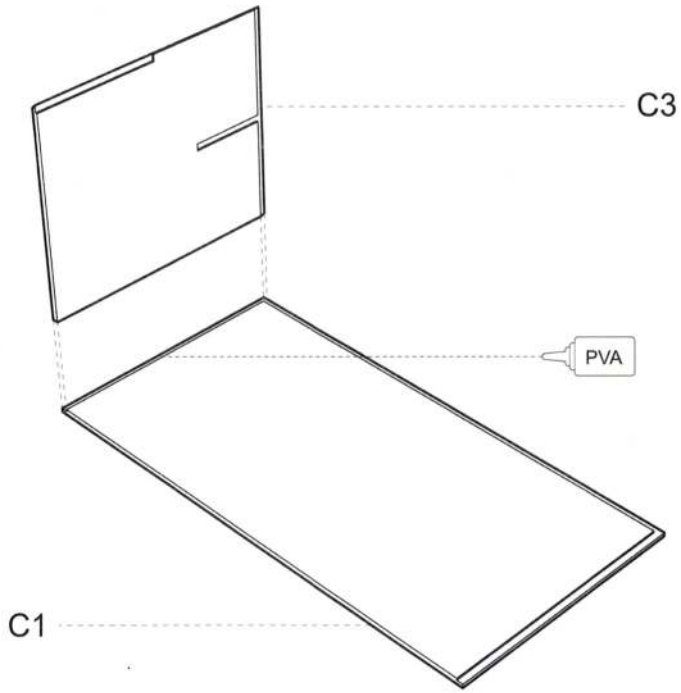
5 035189 234606

# PARTS LIST

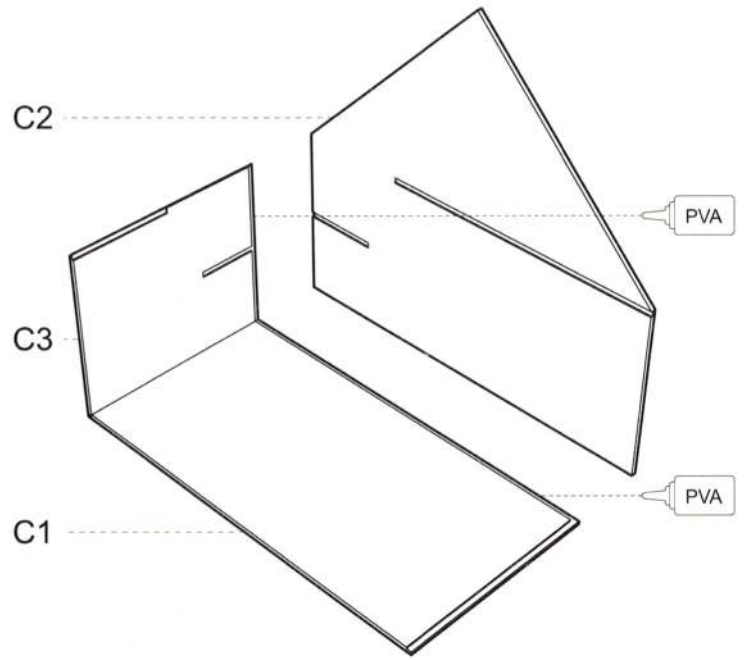
When requesting missing or damaged parts please prefix with 1800.



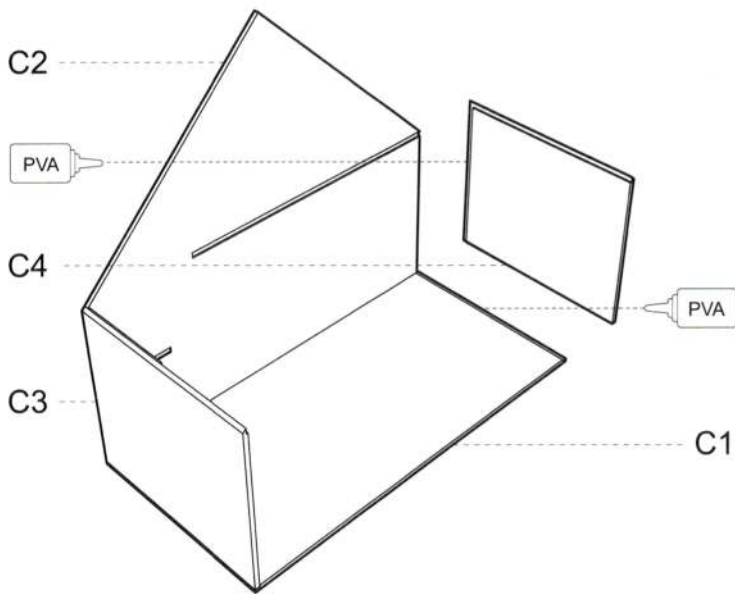
1



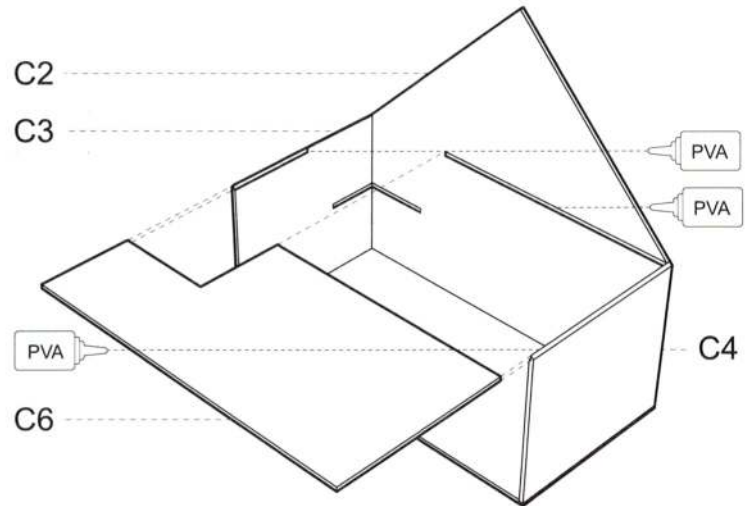
2



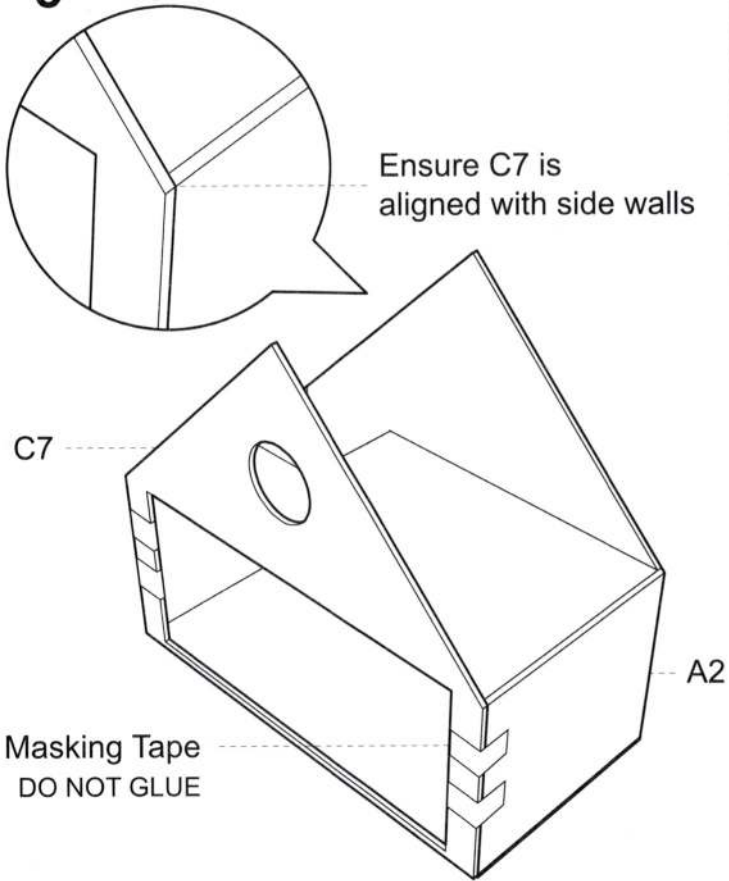
3



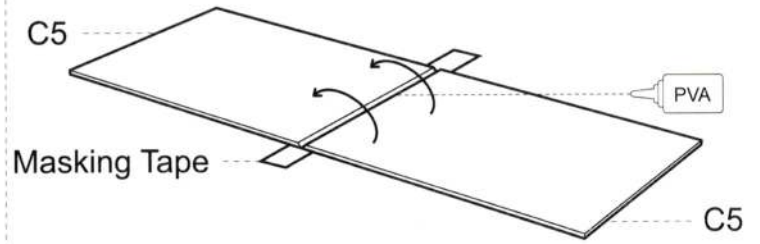
4



5

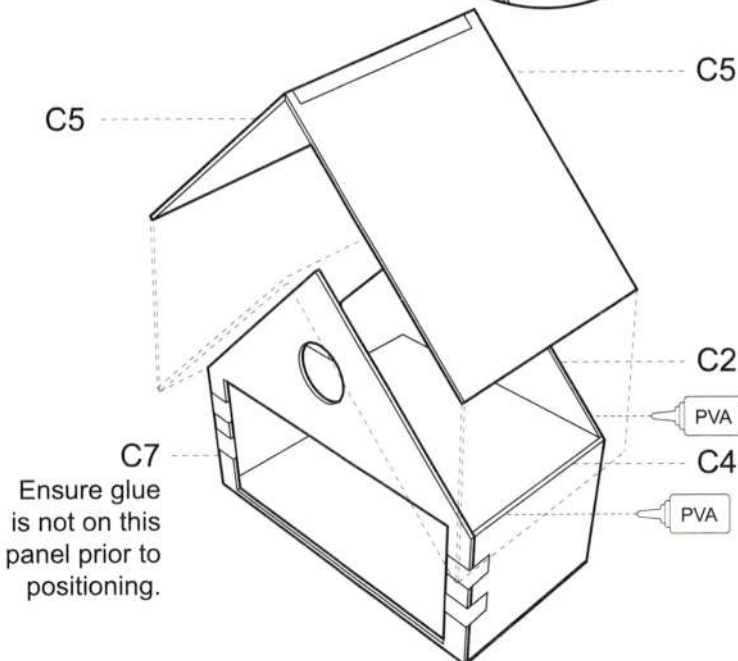
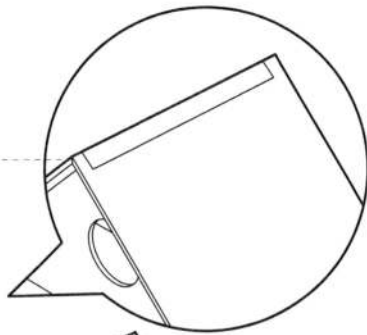


6

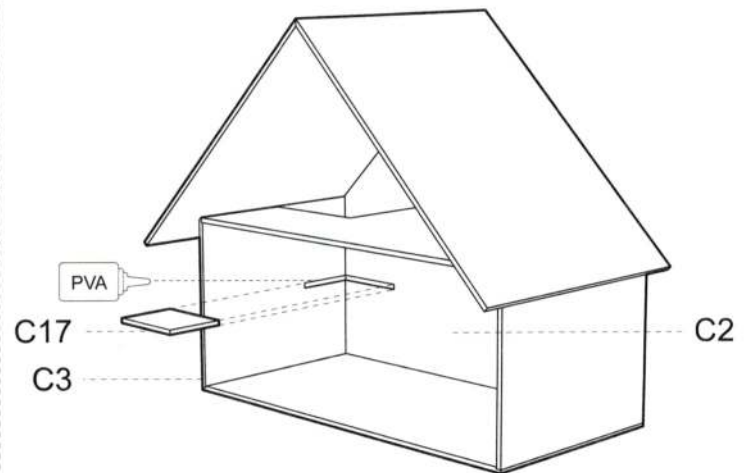


7

Allow 8 hrs to dry  
Remove C7 once dry

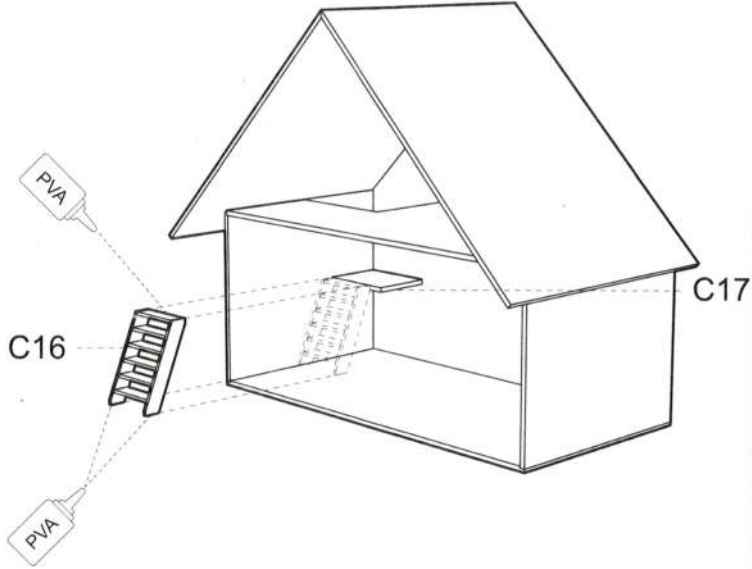


8

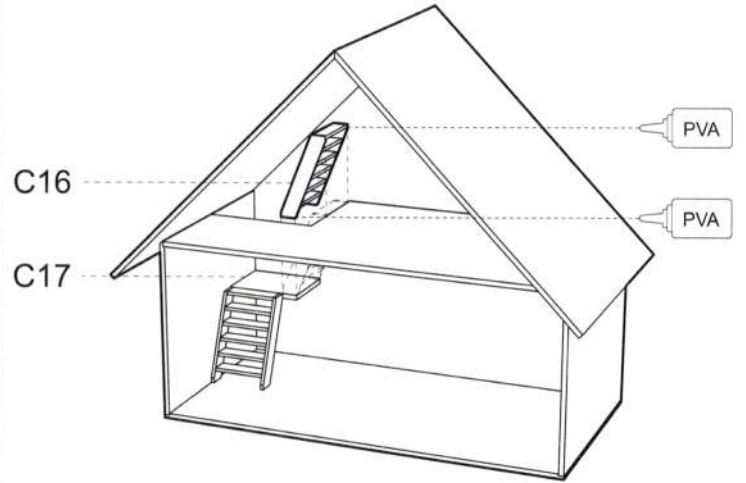




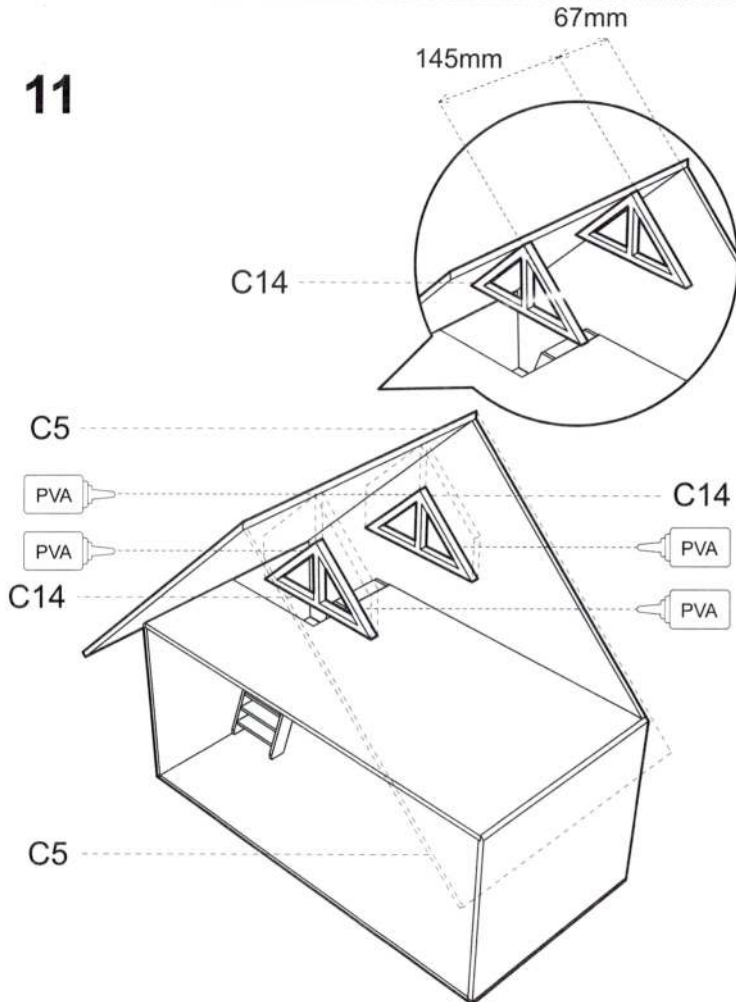
9



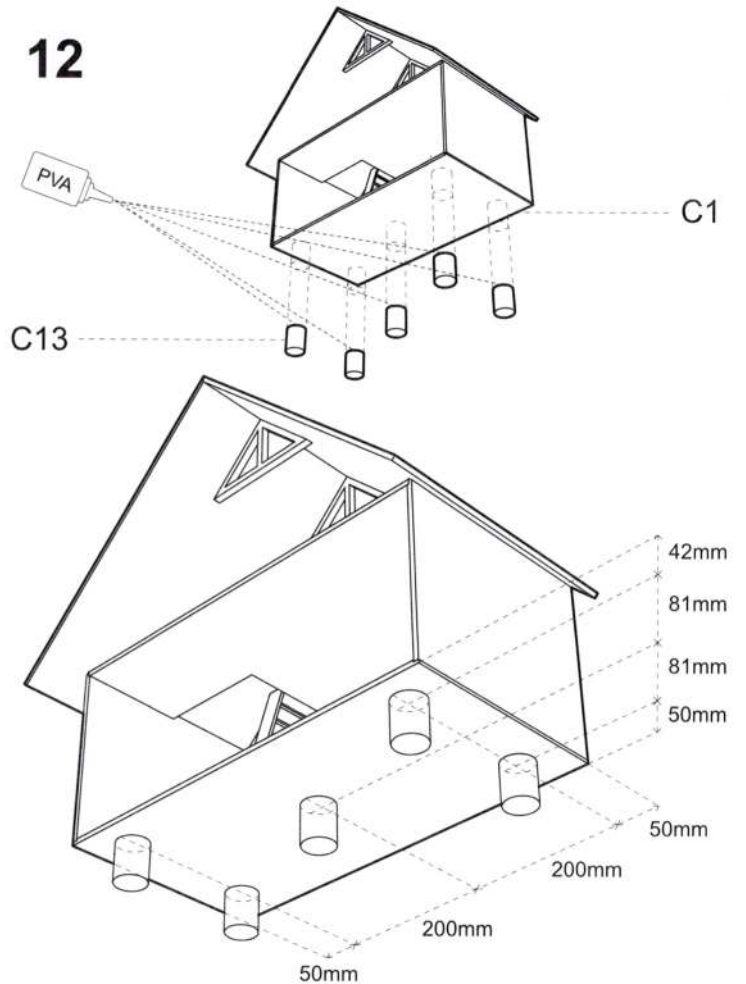
10



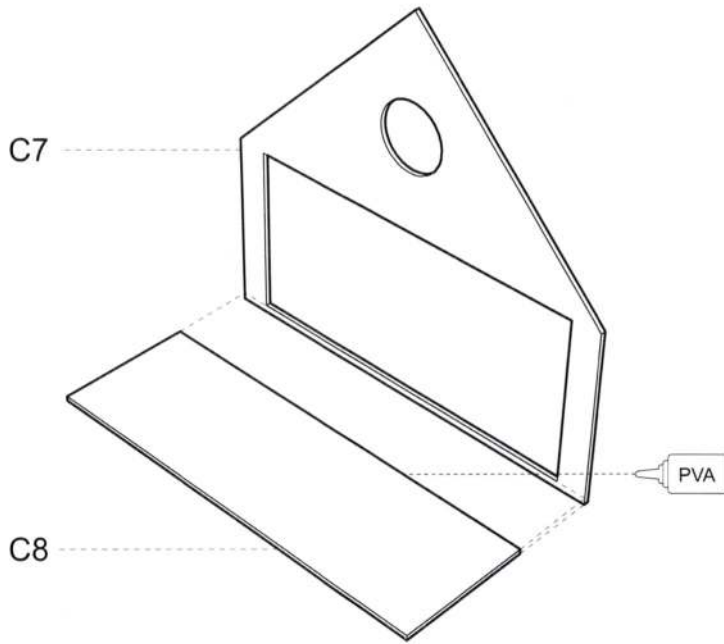
11



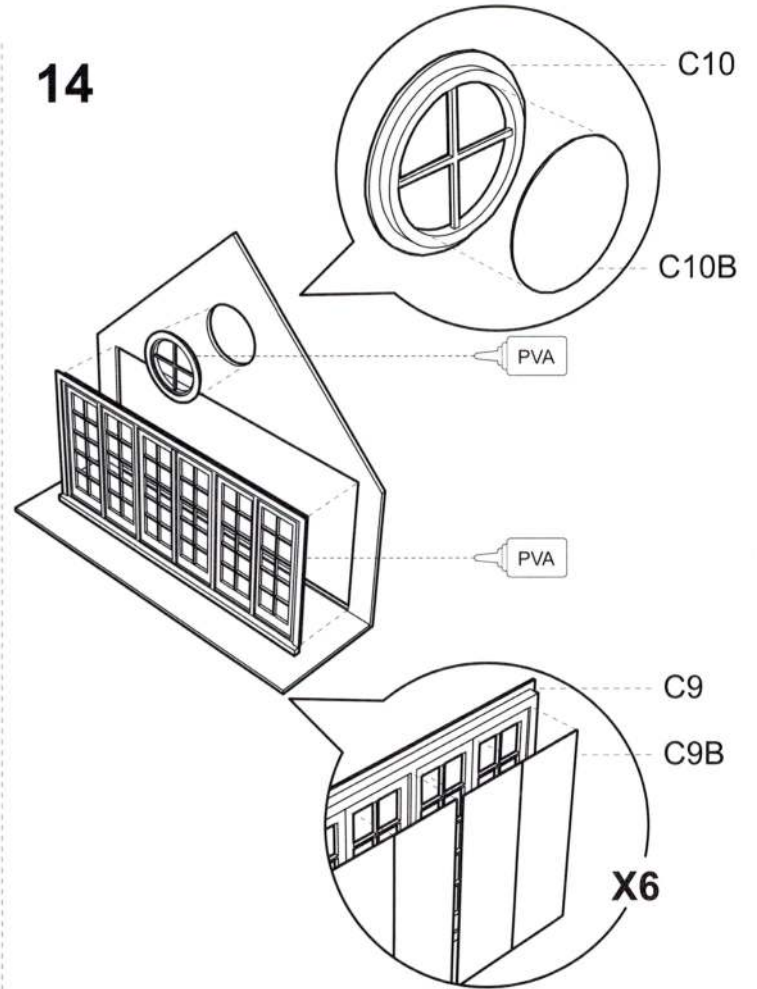
12



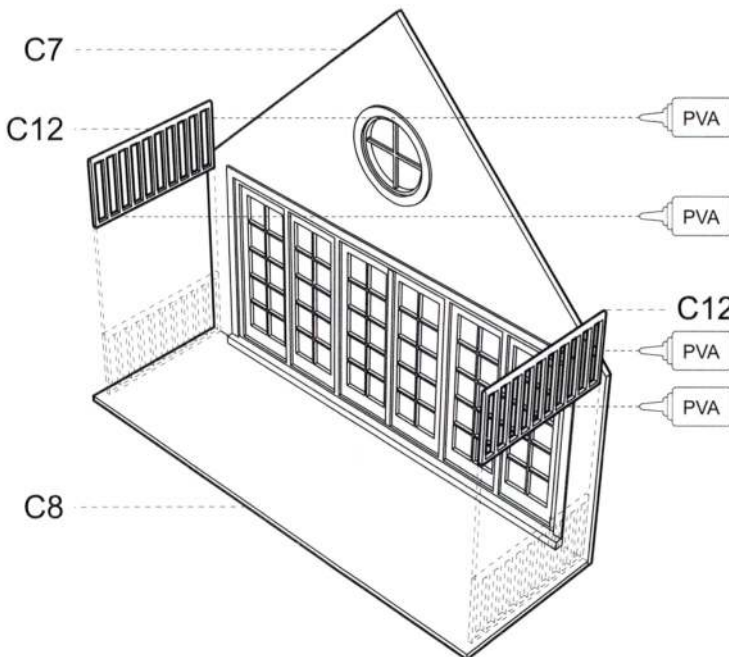
13



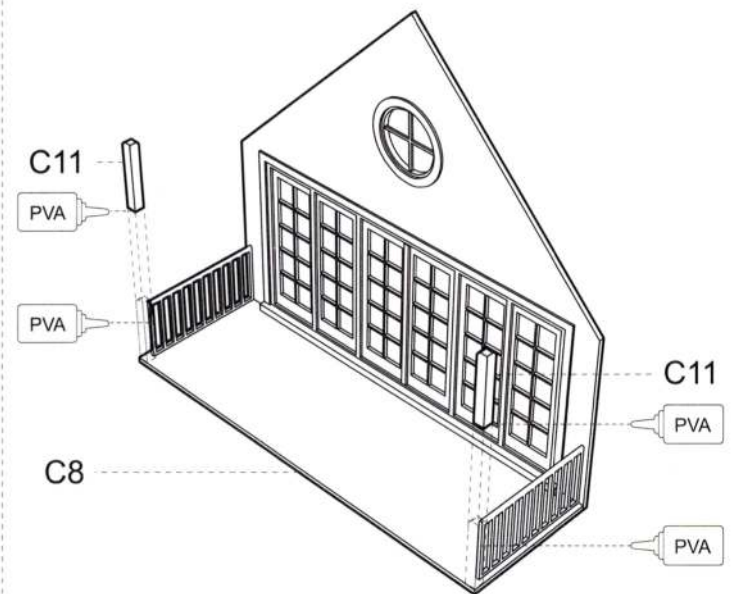
14



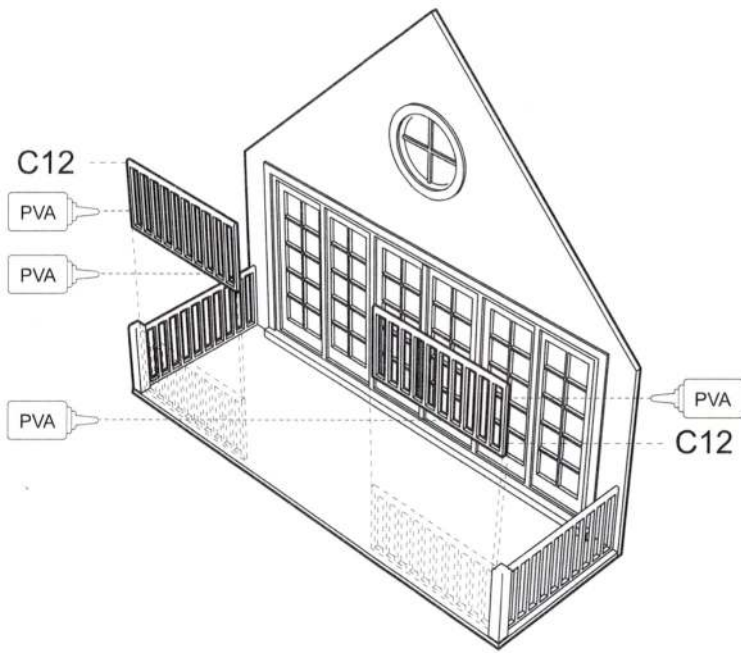
15



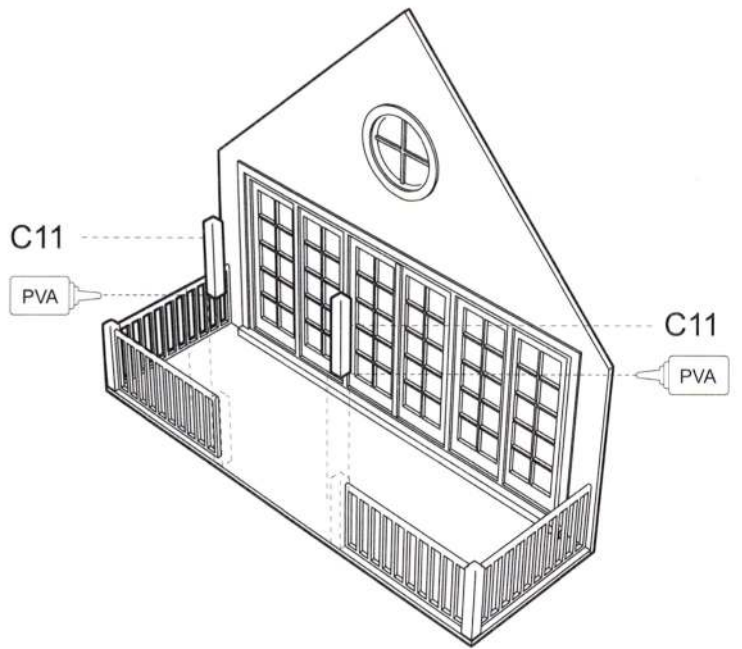
16



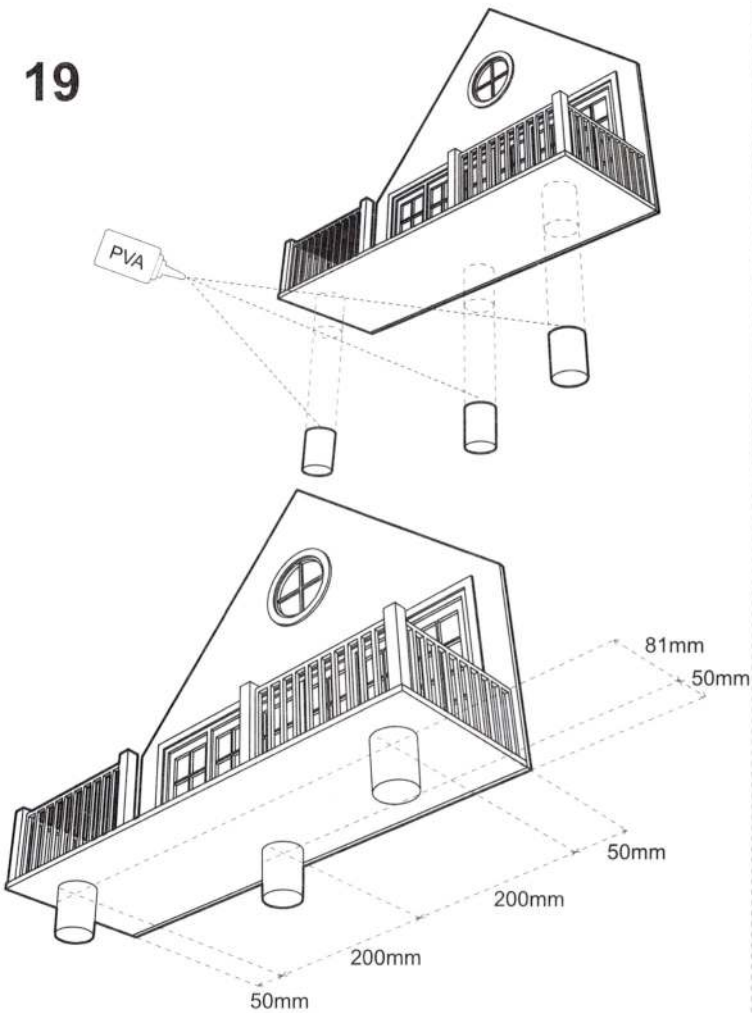
17



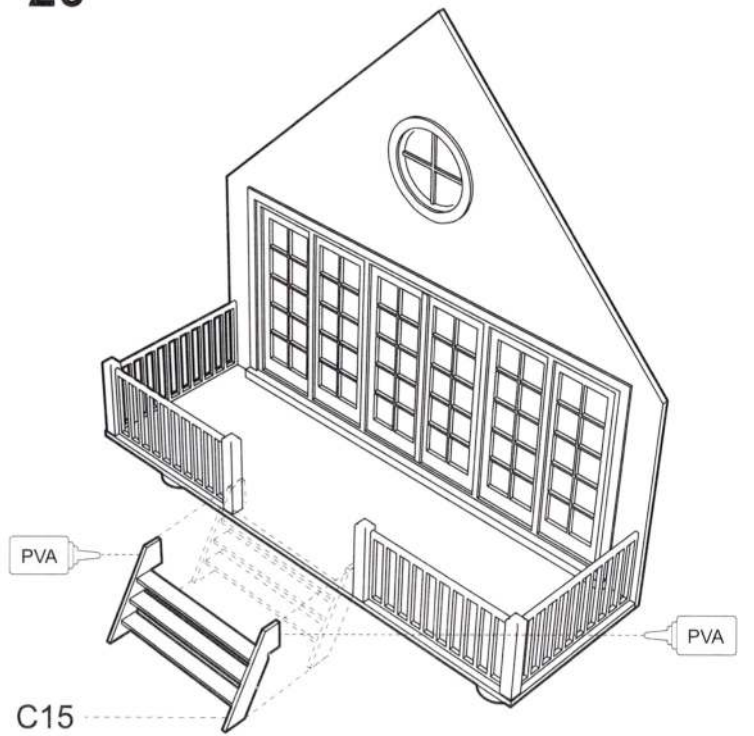
18



19

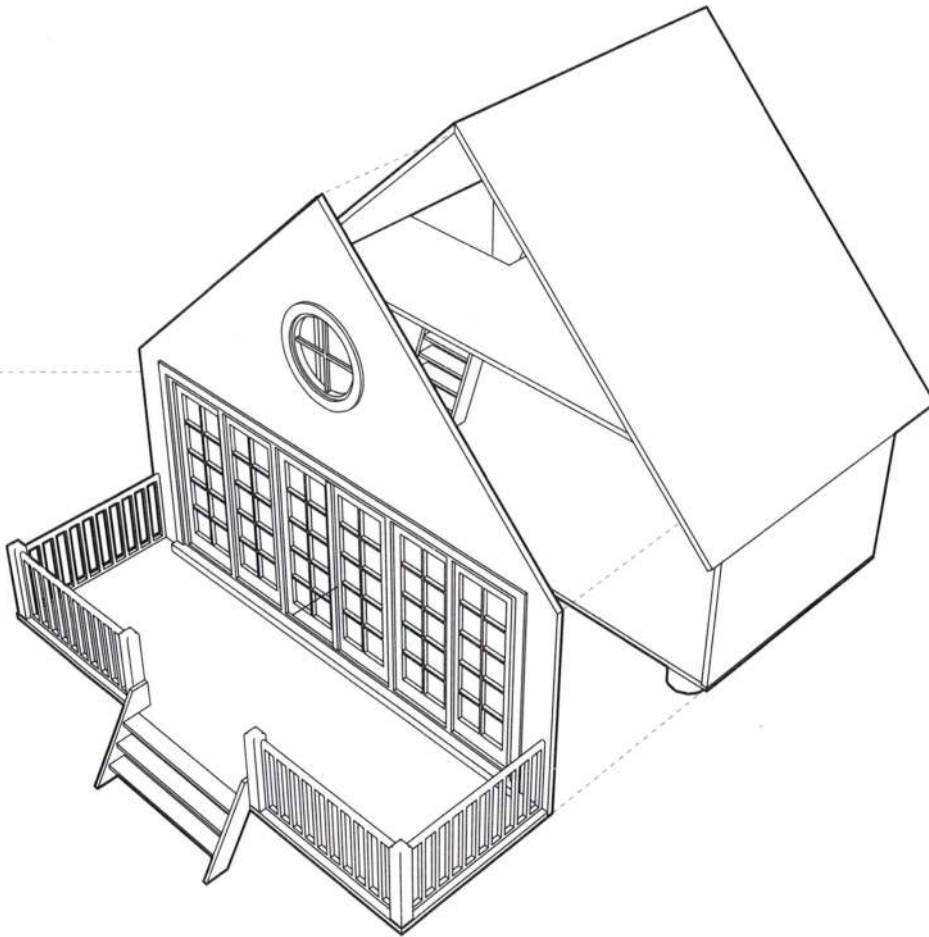


20



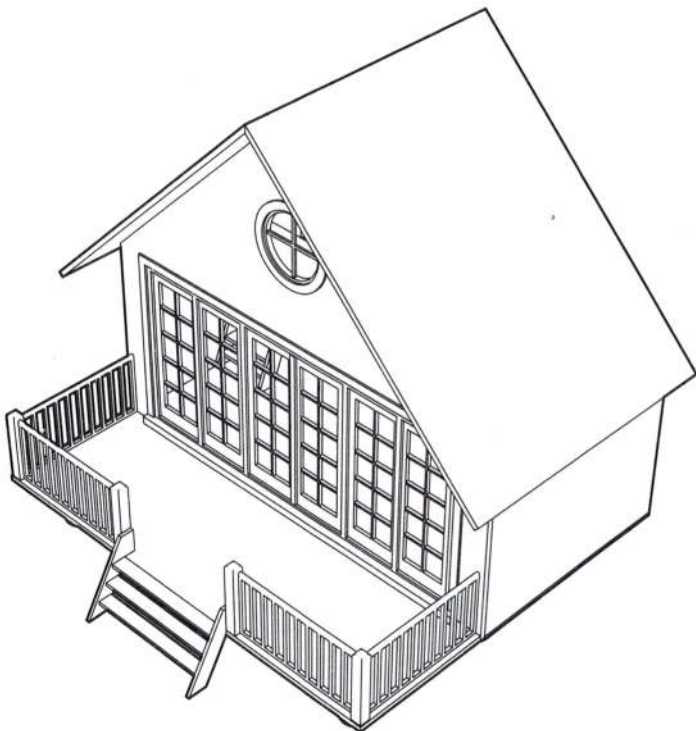


Do not glue  
to allow access



# CONGRATULATIONS

You have now completed your Retreat.



You've bought the house,  
now get the deeds!

Now you've got your dolls' house, what about getting  
the paperwork in order to show it really is yours?

Visit [www.dollshouse.co.uk/deeds](http://www.dollshouse.co.uk/deeds) to fill in your details  
and print our your deeds there and then.

The Dolls House Emporium

The world's leading supplier of dolls' houses and miniatures



We hope you are pleased with the results